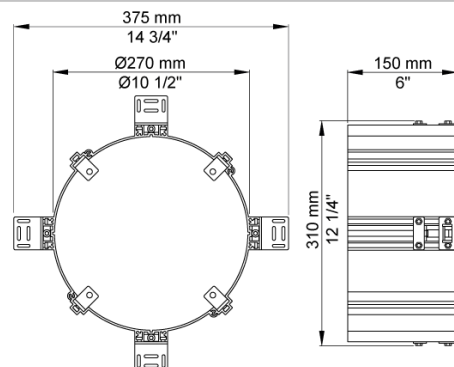
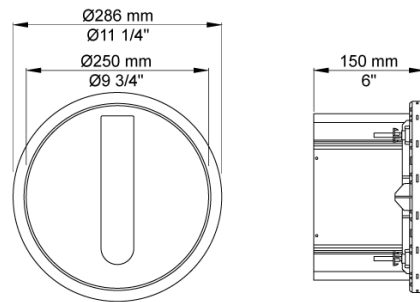


	Date:
	Client:
	Project:



RS2

Build-in tissue dispenser. Build-in depth: 150 mm. Diameter incl. ring: 286 mm. Capacity 80-100 tissues. Size 85 mm x 205 mm. Type: Tork no: 100297 (www.sca-tork.com). Lotus Professional no: 5892690 (www.lotusprofessional.eu). Care Ness no: 114013 (www.abena.dk). The visual part consists of: Ring, material: High polished chrome, natural brass, brushed chrome, brushed stainless steel or 15 different colours. Container, material frontplate: PC/ABS laquered, surface colour white or black.



Available in colors

Color 02, Grey	Color 17, Gloss black
Color 04, Light blue	Color 18, White
Color 05, Orange	Color 19, Natural brass
Color 06, Light green	Color 20, Brushed chrome
Color 08, Yellow	Color 21, Carmine red
Color 09, Dark grey	Color 25, Pink
Color 12, Mocca	Color 27, Matt black
Color 14, Bright red	Color 28, Matt white
Color 15, Dark blue	Color 40, Brushed stainless steel
Color 16, Polished chrome	